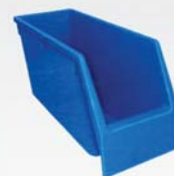


www.instrumentumgroup.com

# INSTRUBINS

TOP QUALITY INDUSTRIAL PLASTIC BINS

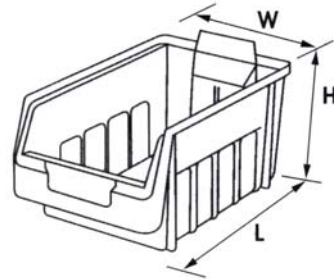


# INSTRUBINS TYPE S BINS



## MADE FROM POLYPROPYLENE COPOLYMER.

- ▶ Strong rear lip for use with louvre panels.
- ▶ Strong heavy duty reinforced base, sides & stacking rim.
- ▶ Resistance to most industrial solvents, withstands higher temperature.
- ▶ Clear access to contents.
- ▶ All bins with identification card holders.
- ▶ Incorporates a safety stop feature in ITS - 4 / 5 / 6 at the back for use in shelves.



## Bins Dimensions

Model No.	Outside Dimensions in mm			Inside Dimensions in mm		
	Length	Width	Height	Length	Width	Height
ITS-1	125	100	60	117	80	52
ITS-2	170	100	85	157	80	75
ITS-3	220	130	125	200	115	115
ITS-4	290	178	143	265	155	130
ITS-5	290	363	145	265	340	130
ITS-6	440	180	145	415	154	130
ITS-7	435	425	215	405	380	208
ITS-7X	435	400	215	405	360	208
ITS-8	435	400	215	405	360	208

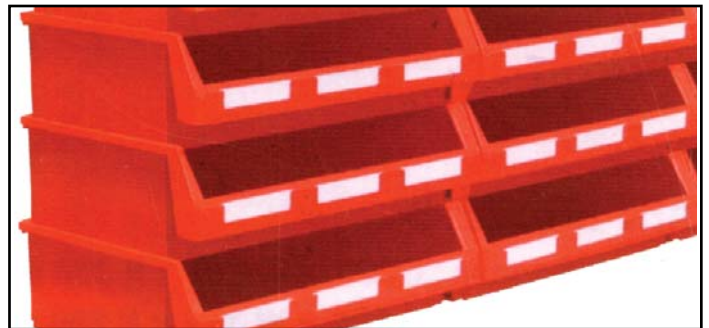
Please Note: ITS-7X IS THE OLD ITS-7 WHICH WILL BE SUPPLIED AGAINST SPECIAL ORDERS ONLY.

All dimensions in mm approx.

## Colors for all Bins :



Please note: colors shown here are similar, not exact, to actual product colors.



ITS bins are designed to stack one on top of each other.

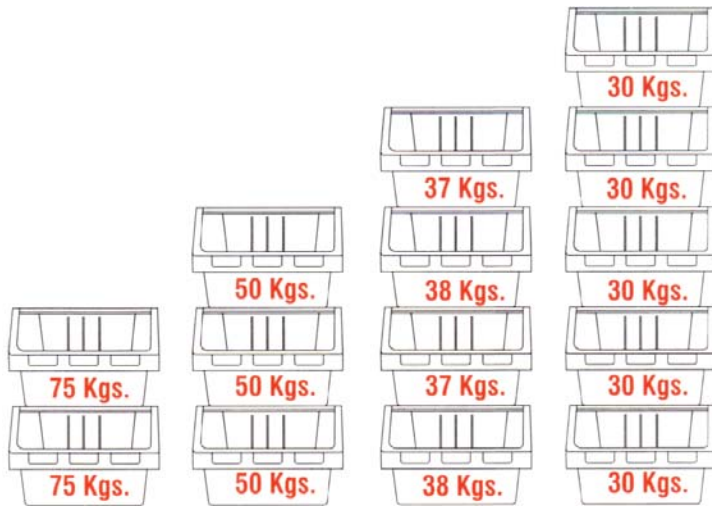


Rear lip for easy access. Stops bin from coming out.

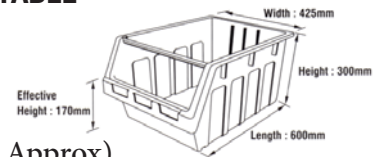
( For ITS-7, ITS-7X & ITS-8 Red & Blue only )

# INSTRUBINS TYPE S BINS

ITS-8 designed to suit the Versatile needs of the customer and to give optimum space utility.



**STACKABLE & NESTABLE**



## Model NO: ITS-8

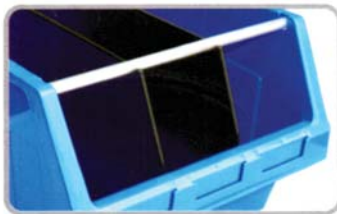
Outer Dimension : L 600 x W 425 x H 300 mm ( Approx)

Inner Dimension: L 530 x W 375 x H 290 mm ( Approx)

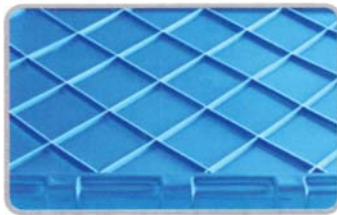
Effective Height : 170 mm ( Approx.)



**LABEL HOLDERS**



**PARTITIONS**



**REINFORCED BASE**



**ALUMINIUM PIPE LOCK CLIP**

- ▶ Bin with **largest** effective height of **170 mm**.
- ▶ Bin can be stacked so you can effectively use maximum storage as compared to a single crate on a shelf and you don't need to keep any free over head space.
- ▶ If stacked on the shelf one can effectively used maximum storage if compared with crates.
- ▶ Clear frontal access to the contents of the bin in stacked condition.
- ▶ Bin has large label holders for effective sku identification.
- ▶ Dividers are available for the bin which can divide the bin in 2 or 3 equal parts for more effective storage.
- ▶ Bin has strong heavy duty reinforced base for added strength and load bearing.
- ▶ Rounded ergonomic design having strong sides and stacking rim gives extra strength and sturdiness for storage.
- ▶ Resistance to most industrial solvents, withstands high temperatures.
- ▶ Aluminium pipe fitted with lock pins on either side prevent the mouth of the bin from spreading under load conditions.

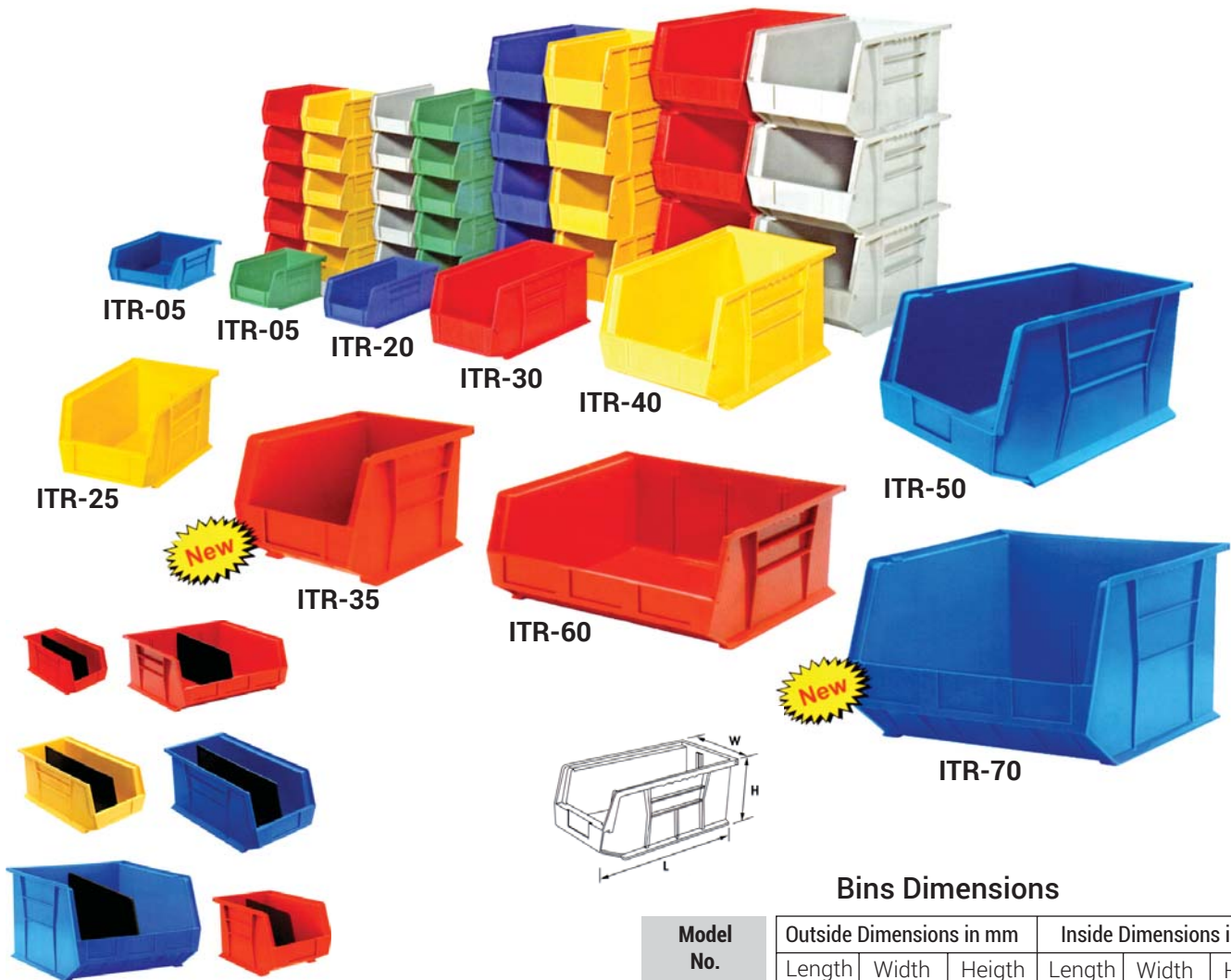


Colors Available :

Red  Blue 

Other colours are available for MOQ of 500 pcs.

# INSTRUBINS TYPE R BINS



## TYPE R Bins Vertical Dividers

### MADE FROM POLYPROPYLENE COPOLYMER.

- ▶ Strong ribs provided for optional dividers to increase strong options.
- ▶ Full Length rear lips supports provided for handing bins on louvre panels or rails.
- ▶ Reinforced ribs adds strength and avoids spreading.
- ▶ Extra wide stacking base for secure stacking.
- ▶ Extra wide label slot for easy content identification.
- ▶ Stopper prevents stacked bins from shifting forward.

## Bins Dimensions

Model No.	Outside Dimensions in mm			Inside Dimensions in mm		
	Length	Width	Height	Length	Width	Height
ITR-05	109	104	49	95	89	43
ITR-10	136	106	76	125	90	65
ITR-20	187	106	76	171	90	65
ITR-25	205	139	126	190	115	121
ITR-30	274	140	127	256	115	115
ITR-35	280	210	179	255	170	160
ITR-40	375	210	179	355	170	160
ITR-50	457	280	255	432	241	240
ITR-60	375	415	179	355	375	160
ITR-70	460	420	292	435	375	282

All dimensions in mm approx.

## Colors for all Bins :

Red      Blue      Grey      Green      Yellow



**Please note:** colors shown here are similar, not exact, to actual product colors.

( For ITR-50, ITR-60, & ITR-70 Red & Blue only )



Contact us for more details and dimensions for Shop Floor Trolley and Louvre Panels.

# INSTRUBINS TYPE H BINS



ITH-612T



ITH-612S



ITH-612S2



ITH-612M



ITH-612DW



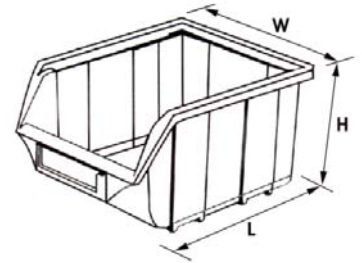
ITH-612B



ITH-612J

## MADE FROM POLYPROPYLENE COPOLYMER.

- ▶ Strong rear lip for use with louvred panels.
- ▶ Strong heavy duty with rounded base, sides & stacking rim.
- ▶ Resistant to most industrial solvents, withstands higher temperature. Can be stacked one on top of each other.
- ▶ Clear access to Contents.
- ▶ All bins with identification card holders.
- ▶ Partitions available.
- ▶ Rounded Ergonomic Design to Give Extra Strength and Sturdiness for Storage.



## Bins Dimensions

Model No.	Outside Dimensions in mm			Inside Dimensions in mm		
	Length	Width	Height	Length	Width	Height
ITH-612T	100	110	53	80	90	43
ITH-612S	150	110	75	130	90	68
ITH-612S2	175	115	75	150	90	64
ITH-612M	250	165	125	225	132	115
ITH-612DW	250	344	125	210	312	115
ITH-612B	355	220	150	330	182	138
ITH-612J	515	330	200	470	295	180

All dimensions in mm approx.

Colors for all Bins :

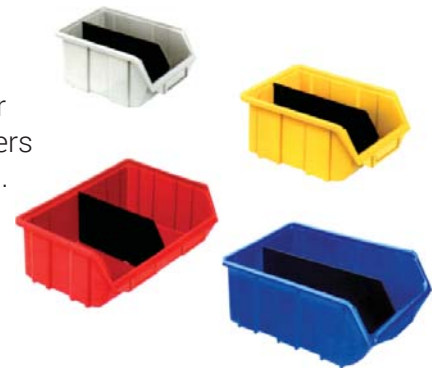


Please note: colors shown here are similar, not exact, to actual product colors.

( For 612J Red & Blue only )

## Vertical Dividers

Option available for fitted vertical dividers to create partitions.



## STACKING

Type H Bins are designed to stack one on top of each other.



# INSTRUBINS TYPE T BINS



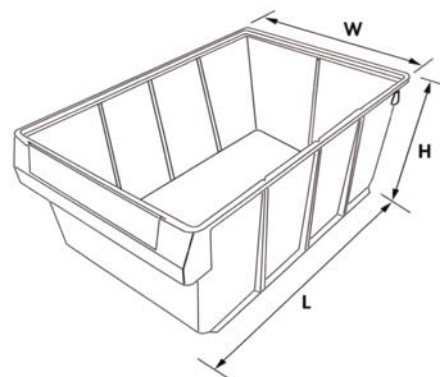
ITT-421



ITT-422

## MADE FROM POLYPROPYLENE COPOLYMER.

- ▶ Stable and robust Design.
- ▶ Flexible use due to Vertical and Horizontal partitions (optional).
- ▶ Compatible with shelving and vertical storage systems.
- ▶ Large Label Holder.
- ▶ Smooth Internal wall for easy cleaning.
- ▶ Anti skid bottom.
- ▶ Stackable.



### Bins Dimensions

Model No.	Outside Dimensions in mm			Inside Dimensions in mm		
	Length	Width	Height	Length	Width	Height
ITT-421	400	255	100	365	230	90
ITT-422	400	255	200	365	230	190

### Bin Partitions

DIVIDERS FOR ITT-421	Model No.
Horizontal Plain Dividers	ITT-421-HD
Horizontal With Single Slot	ITT-421-HD
Vertical With Three Slot	ITT-421-HD

### Bin Partitions

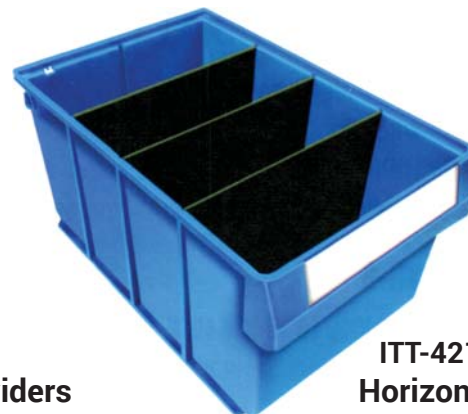
DIVIDERS FOR ITT-422	Model No.
Horizontal Divider	ITT-422-HD



ITT-421  
Horizontal Dividers



ITT-421  
Horizontal & Vertical Dividers



ITT-421  
Horizontal Dividers

Colors : Red  Blue 

Please note: colors shown here are similar, not exact, to actual product colors.

# INSTRUBINS TYPE B BINS



ITB BIN 5



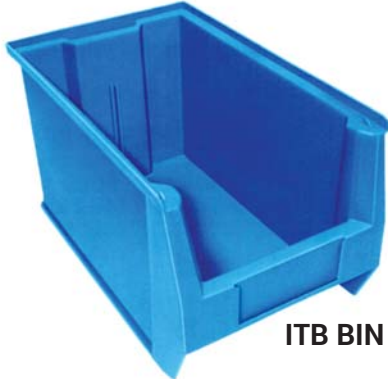
ITB BIN 15



ITB BIN 25



ITB BIN 35



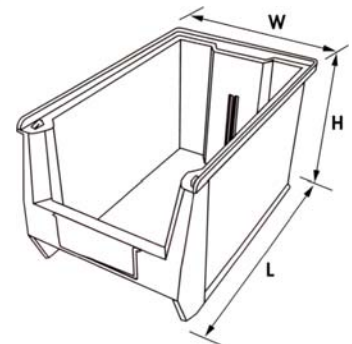
ITB BIN 45



ITB BIN 55

## MADE FROM POLYPROPYLENE COPOLYMER.

- ▶ Provision for vertical dividers to increase storage options.
- ▶ Full length rear lip supports provided for hanging bins on louvered panels or rails.
- ▶ Anti-skid strips provided at the base.
- ▶ Extra wide stacking base for secure stacking.
- ▶ Tapered front & rear bottom for easy movement on conveyers.
- ▶ Stopper prevents stacked bins from shifting forward.
- ▶ Extra wide label slot for easy content identification.



## Bins Dimensions

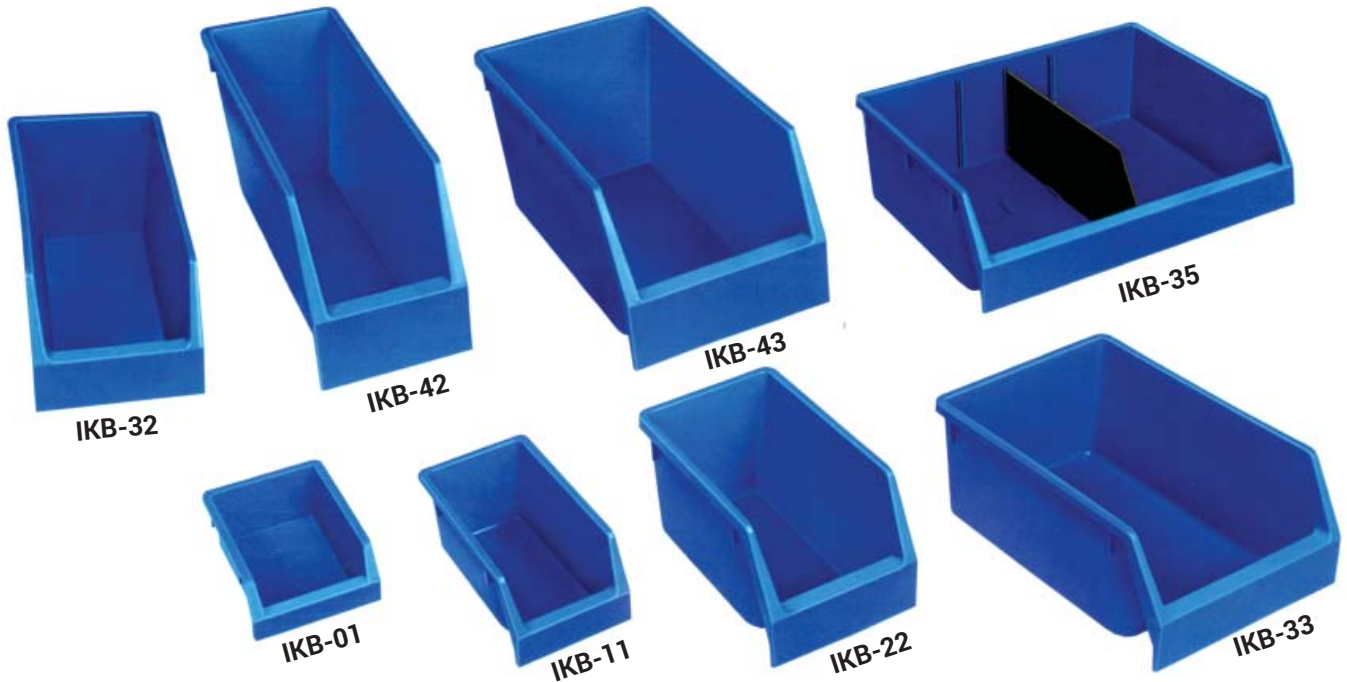
Model No.	Outside Dimensions in mm			Inside Dimensions in mm		
	Length	Width	Height	Length	Width	Height
ITB BIN 5	168	102	74	145	86	66
ITB BIN 15	201	125	101	178	105	92
ITB BIN 25	229	150	126	192	128	114
ITB BIN 35	300	208	158	255	185	145
ITB BIN 45	348	210	200	305	187	185
ITB BIN 55	510	310	200	480	280	195

All dimensions in mm approx.



**Please note:** colors shown here are similar, not exact, to actual product colors. ( ITB Bin 55 - Red & Blue color only )

# INSTRUBINS TYPE K BINS



## MADE FROM POLYPROPYLENE COPOLYMER.

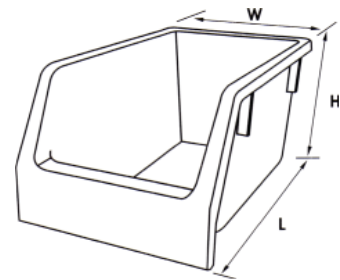
- ▶ Type K Bins are designed to save transportation cost by almost 70%.
- ▶ The clear design of Type K makes them easy to clean and use in dust free environments like Hospitals.
- ▶ Extra wide front face for sticking identification labels for easy content identification.
- ▶ Provision for vertical dividers to increase storage options in Type K BIN IKB-35.
- ▶ TYPE K BINS IKB-01 | IKB-11 | IKB-22 | IKB-32 | IKB-33 | IKB-35 have full length rear lip supports provided for hanging bins on louvered panels or rails.
- ▶ TYPE K BINS IKB-32 | IKB-33 | IKB-35 | IKB-42 | IKB-43 designed to fit roll post shelving systems.
- ▶ Anti-skid strips provided at the base.



## Bins Dimensions

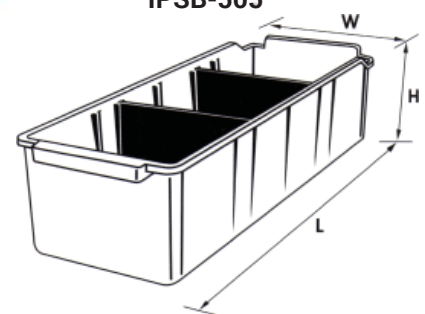
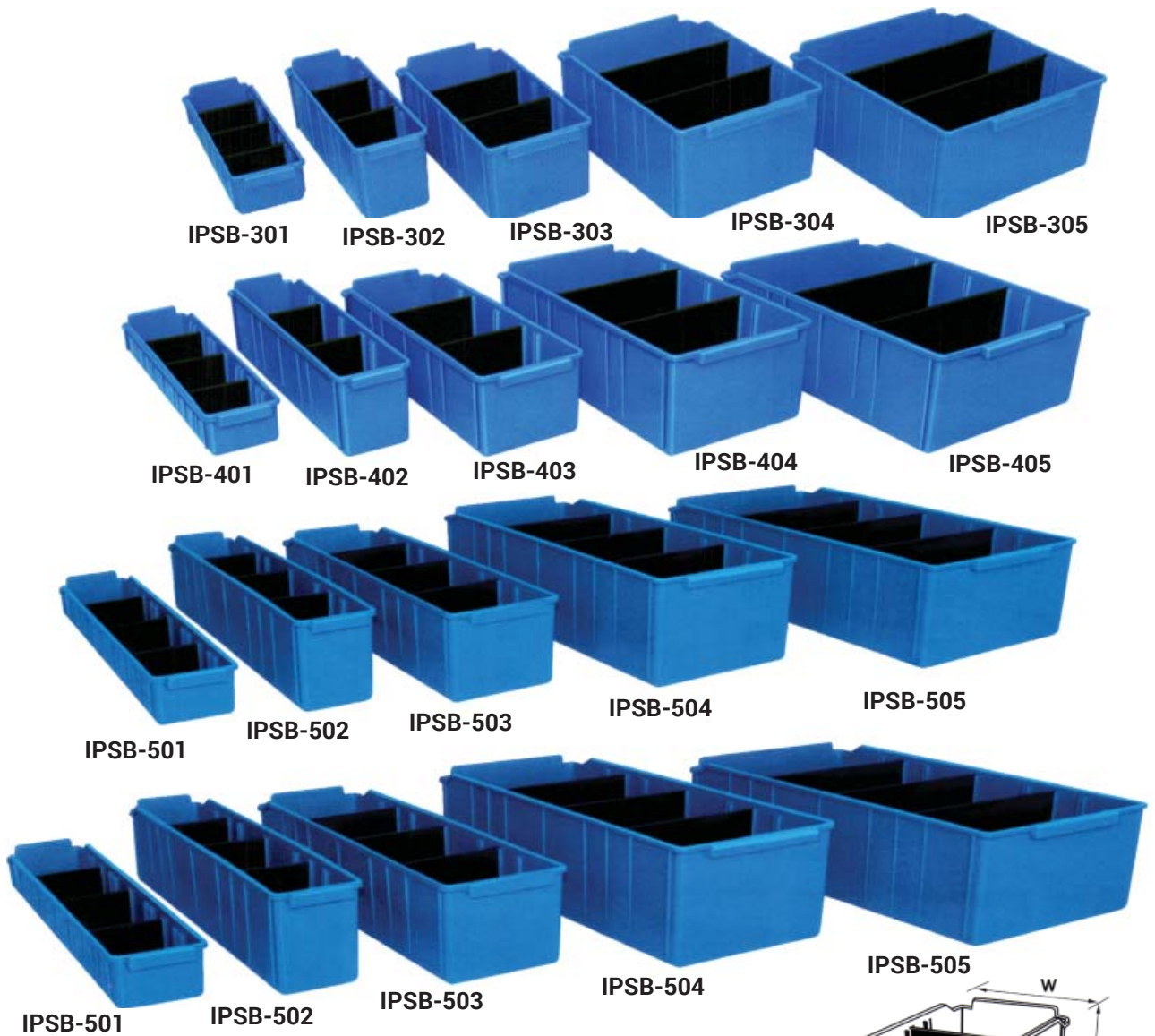
Model No.	Outside Dimensions in mm			Inside Dimensions in mm		
	Length	Width	Height	Length	Width	Height
<b>IKB-01</b>	130	105	60	105	90	55
<b>IKB-11</b>	180	105	90	155	90	85
<b>IKB-22</b>	220	140	140	195	125	135
<b>IKB-32</b>	300	140	140	270	125	135
<b>IKB-33</b>	300	215	140	270	200	135
<b>IKB-35</b>	300	435	140	270	410	135
<b>IKB-42</b>	400	145	200	360	125	195
<b>IKB-43</b>	400	215	200	360	200	195

All dimensions in mm approx.





# INSTRUBINS TYPE P SHELVE BIN



Model No.	Outside Dimensions in mm			Inside Dimensions in mm		
	Length	Width	Height	Length	Width	Height
IPSB-301	315	100	60	293	86	55
IPSB-302	315	100	110	293	86	105
IPSB-303	315	150	110	293	136	105
IPSB-304	315	220	135	293	206	130
IPSB-305	315	300	135	293	282	130
IPSB-401	415	100	60	393	86	55
IPSB-402	415	100	110	393	86	105
IPSB-403	415	150	110	393	136	105
IPSB-404	415	220	135	393	206	130
IPSB-405	415	300	135	393	282	130
IPSB-501	515	100	60	493	86	55
IPSB-502	515	100	110	493	86	105
IPSB-503	515	150	110	493	136	105
IPSB-504	515	220	135	493	206	130
IPSB-505	515	300	135	493	282	130



## Contact Information

Instrumentum Group

1801-1 Yonge Street

Toronto, Ontario

Canada

Phone: 1-416-214-7832

Fax: 1-416-369-0515

eMail: [sales@instrumentumgroup.com](mailto:sales@instrumentumgroup.com)

Web: [www.instrumentumgroup.com](http://www.instrumentumgroup.com)

